



Summarize

This product is used for brightness control for LED modules, strip, wall washer, etc..

Modes: There are four modes- Single color R、 Single color G、 Single color B and Tri-color RGB all bright.

Push the botton to change mode.Turn left to decrease the brightness, turn right to increase the brightness.

Totally 55 levels of brightness adjustment.Products selected for the 30 week, the pulse of the pulse switch, 5 to 55 pulse of 0 ~ 100% output brightness.

3 channels of output, suitable for full color LED lamps.

Specification

Item	Input Voltage	Output Signal	DMX channel	power consumption	color	Dimension
DM150	12~24VDC	DXM512	1	≤0.5W	Silver	87*87*67mm

Features

Adopt high quality components,avoid wave current,protract the LED's life;

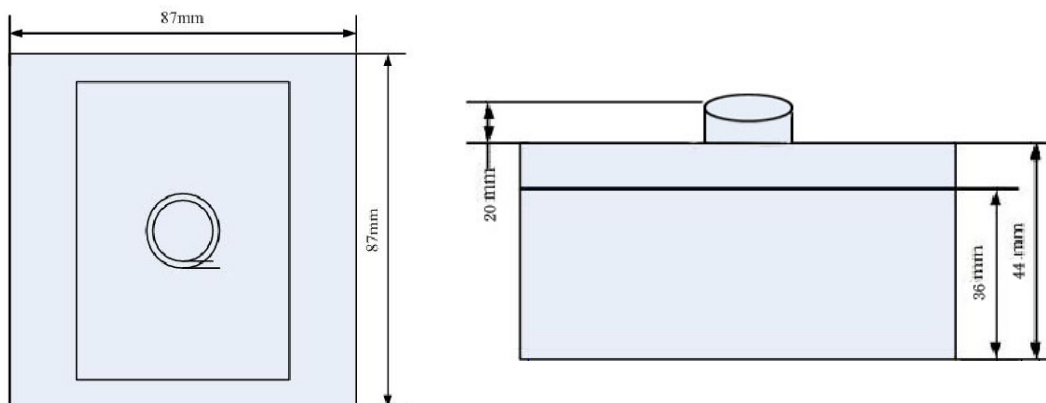
Improved circuit,light-regulating is stability,no flicker;

Delicate,soft and limitless brightness regulate;

Interference-defending circuit inside,no influence to the appliances;

Operating Temperatruce: - 20°C - 50°C.

Dimension

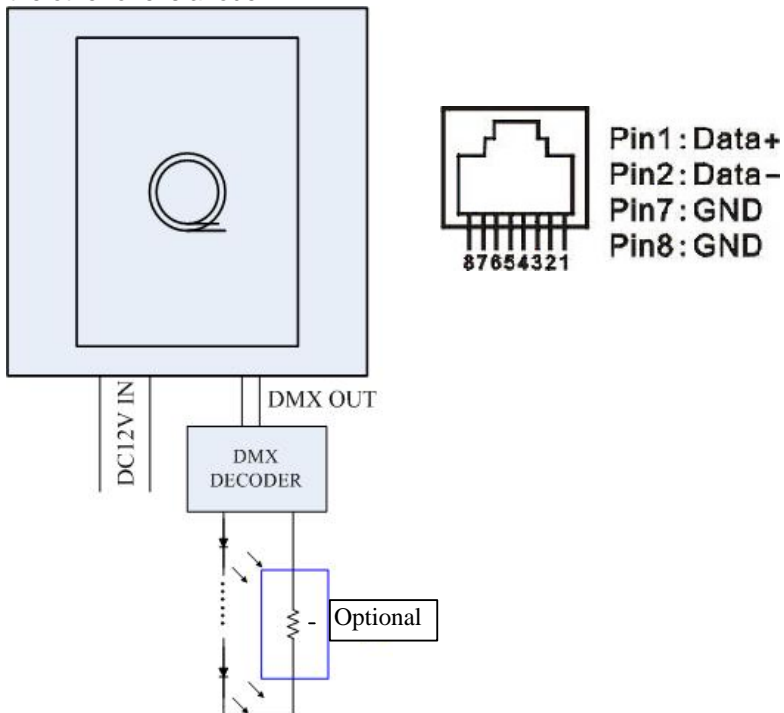


Installation

- 1、 2-core in and 2-core out. Note the input voltage is 12~24VDC.
- 2、 Please install by electrician, select a proper location and distinguish the power wire and load wire.
- 3、 Do not install when power is on, dis-connect the load if can not avoid.
- 4、 Turn on the power after checking the line.
- 5、 Wiring:

DC12V input voltage, wire: 2-core white cable, inside it is RED(+) and BLACK(-) wire;

Dimmer signal output: 2-core black cable, the wire with white mark is cathode, the other one is anode.



Announcements

- 1、 Not proper for using in high temperature, unstable voltage or dankish place.
- 2、 Only test for LED, not guarantee for other use.