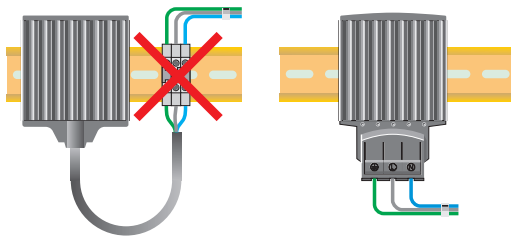




- ◆ 端子式接线 Pressure clamp connectors
- ◆ 高效加热 Dynamic heating up
- ◆ 电压范围宽 Wide voltage range
- ◆ 温度限定 Temperature limiting
- ◆ 节能 Energy saving
- ◆ 导轨固定 Clip fixing
- ◆ 快速安装 Quick installation

电热器用于开关箱当中预防产生凝露，防止温度降至零下或降至最低设定值。

These heaters are used in enclosures where damage from condensation must be prevented, or where the temperature may not fall below a minimum value. The aluminium profile heater body design has a chimney effect and distributes the heat evenly. The pressure clamp connectors save time and simplify installation.

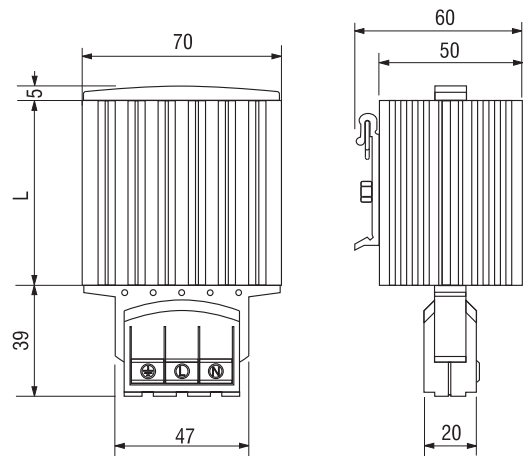


◆ 技术参数 Technical Data

操作电压 Operating voltage	120-240V AC/DC*(min.110V,max.265V)
发热原件 Heating element	PTC发热体 PTC resistor, self regulating and temperature limiting
发热体 Heater body	阳极处理挤压铝型材 extruded aluminium profile, anodised
接线方式 Connection	3个接线端子接入线径0.5-1.5mm ² 3 pressure clamps for stranded wire 0.5-1.5mm ² (with wire end ferrule) and rigid wire 0.5-1.5mm ²
外壳材料 Connection casing	黑色塑料,UL94V-0标准,V-0防火等级 plastic according to UL94 V-0.black
安装方式 Mounting	35mmDIN导轨安装,clip for 35mm DIN rail, EN 60715
安装方式 Fitting position	垂直 vertical
操作/储存环境 Operating/Storage temperature	-20 to +70°C(-49 to +158° F)
防护等级 Protection type/Protection class	IP54 / I (earthed)
配件 Accessories	螺丝安装 screw fixing

*工作电压低于140VAC/DC时，加热性能降低约10%

*Operating with voltages below 140V AC/DC reduces heating performance by approx. 10%.



订货代号 Art. No.	功率 Heating capacity	最大电流 Inrush current max.	长度 Length (L)	重量 Weight (approx.)
14000.0-00	15W	1.5A	65mm	0.30kg
14001.0-00	30W	3.0A	65mm	0.30kg
14003.0-00	45W	3.5A	65mm	0.30kg
14005.0-00	60W	2.5A	140mm	0.40kg
14006.0-00	75W	4.0A	140mm	0.50kg
14007.0-00	100W	4.5A	140mm	0.50kg
14008.0-00	150W	9.0A	220mm	0.70kg

*at 20°C(68° F) ambient temperature